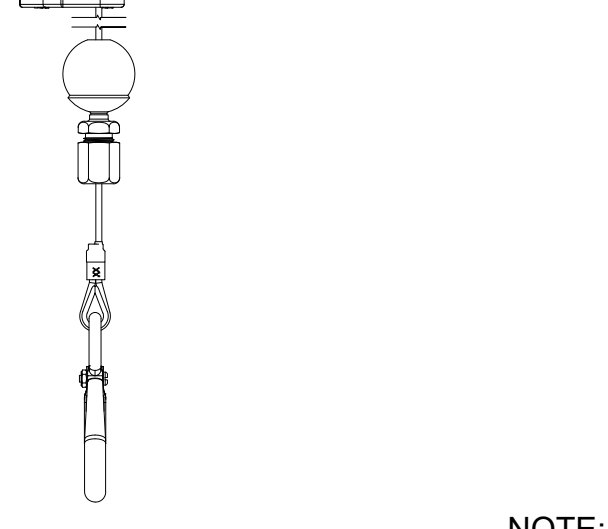
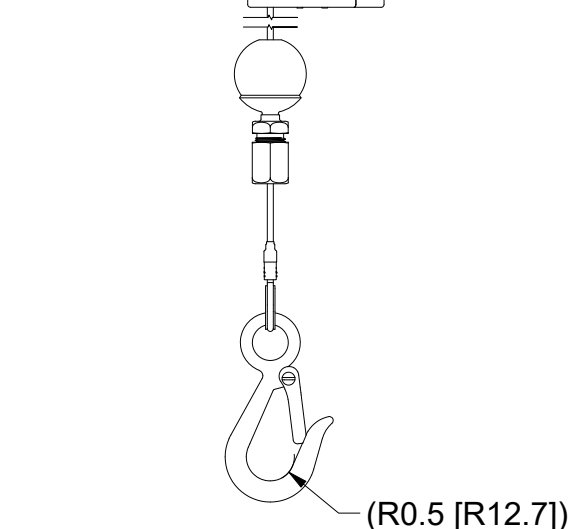
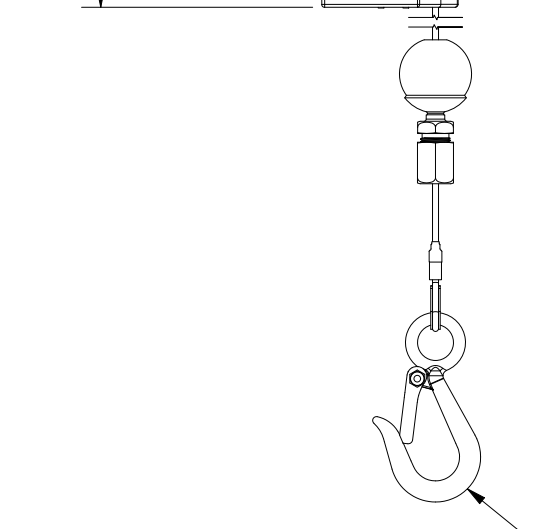
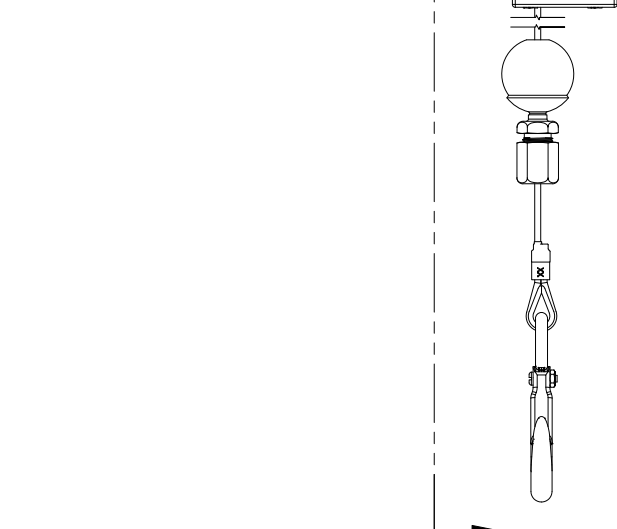
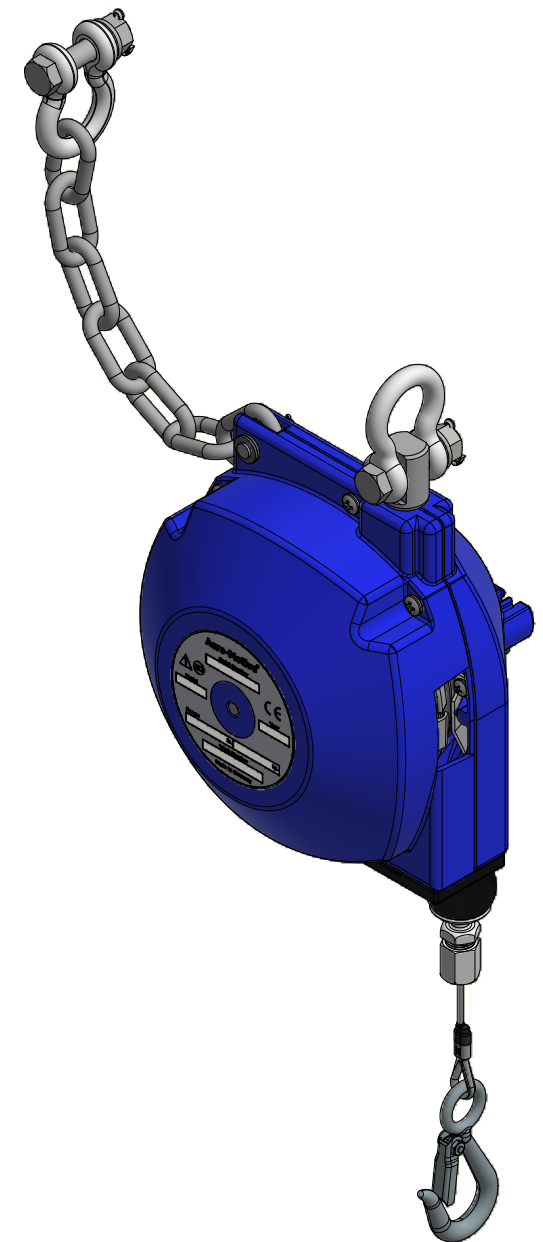
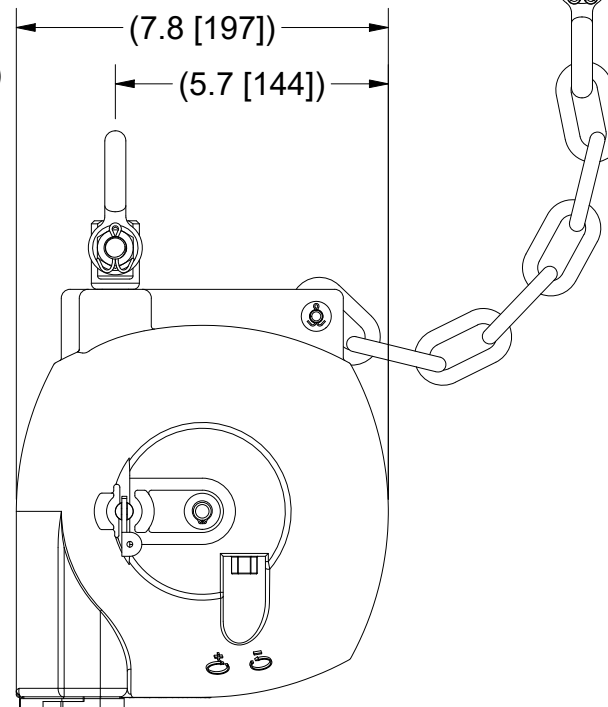


($\varnothing 1.25$ [$\varnothing 32$])
(1.4 [36.5])
($\varnothing 0.4$ [$\varnothing 11$])

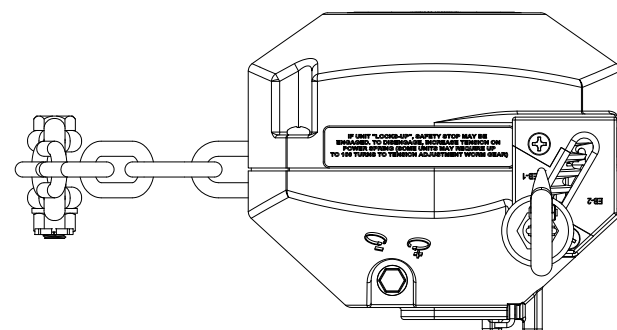


(R0.5 [R12.7])

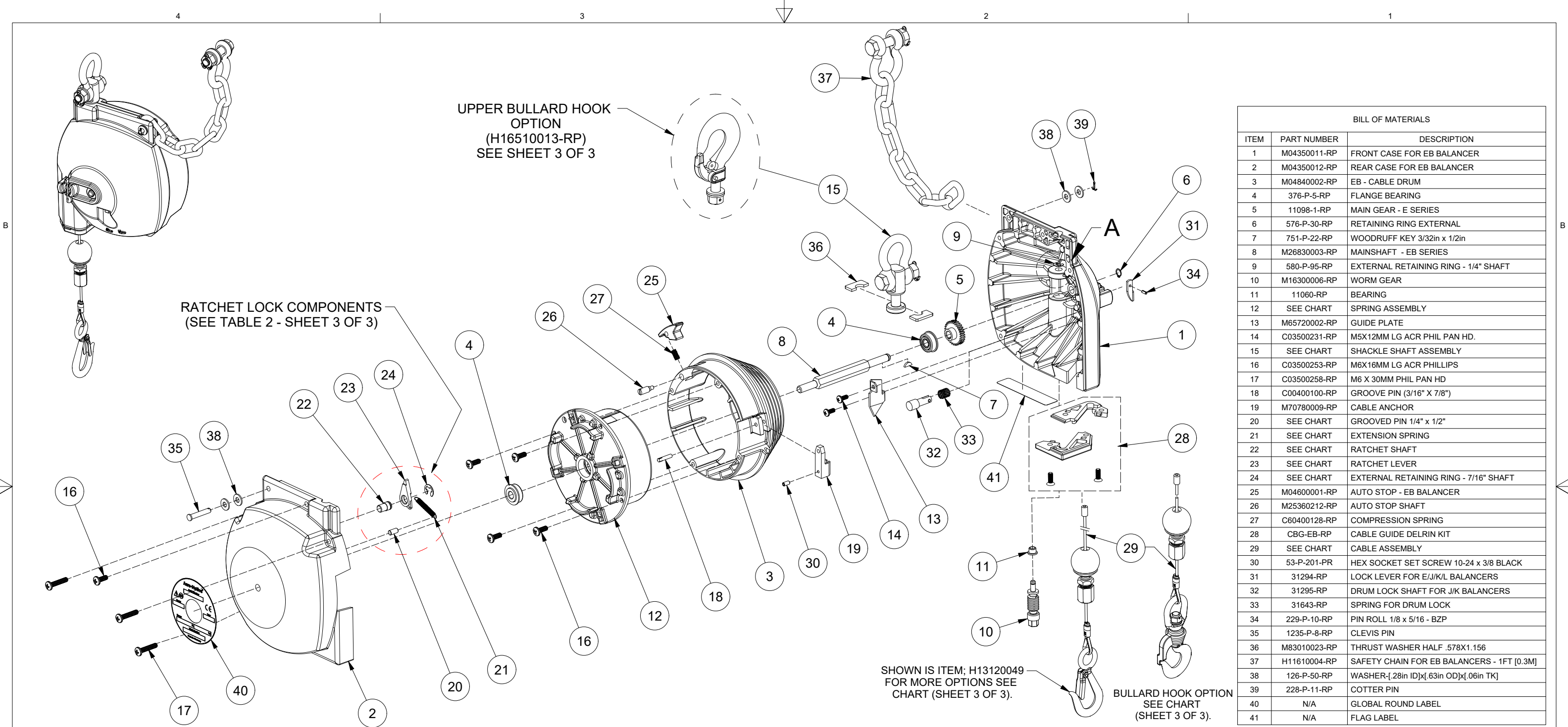
STANDARD EYE SNAP HOOK
WITH SAFETY LATCH

SECTION A-A

NOTE:
ALL DIMENSIONS ARE FOR REFERENCE ONLY.

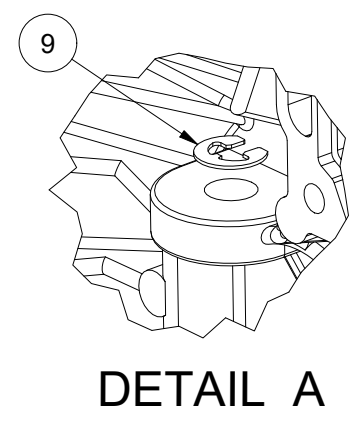


QUALITY SYMBOLS	THIS DRAWING CONTAINS INFORMATION THAT IS PROPRIETARY TO Aero-Motive GmbH AND SHOULD NOT BE USED WITHOUT WRITTEN PERMISSION										
	ECN DESCRIPTION: DRAWING MIGRATION TO A-M			DIMENSION UNITS INCH / MM		SCALE NTS		Aero-Motive® DESCRIPTION EB SERIES OF BALANCERS			
$\nabla S = 0$	ECN NUMBER: AM2021-0014			mm		INCH					SALES DRAWING DOCUMENT NO. SD-XXEB-001
$\nabla = 0$	DRAWN:	MCHOJECKI	2021-01-06	4 PLACE	±	---	±	---	REVISION B		
$\nabla C = 0$	CHECKED:	MCHOJECKI	2021-01-06	3 PLACE	±	---	±	---			SHEET NUMBER 1 of 3
APPROVED:			RHOTCA	2021-01-06	2 PLACE	±	---	±	---		
INITIAL REVISION:			DRAWN:		MCHOJECKI	2012-07-24	0 PLACE	±	---	±	---
APPROVED:			JFMURPHY	2017-05-03	ANGULAR TOL. ± 0.5°		THIRD ANGLE PROJECTION		CUSTOMER GENERAL MARKET		
OLD MAT. NUMBER	DRAFT WHERE APPLICABLE MUST REMAIN WITHIN DIMENSIONS			SIZE B-SIZE		THIRD ANGLE PROJECTION					
SEE CHART											



BILL OF MATERIALS		
ITEM	PART NUMBER	DESCRIPTION
1	M04350011-RP	FRONT CASE FOR EB BALANCER
2	M04350012-RP	REAR CASE FOR EB BALANCER
3	M04840002-RP	EB - CABLE DRUM
4	376-P-5-RP	FLANGE BEARING
5	11098-1-RP	MAIN GEAR - E SERIES
6	576-P-30-RP	RETAINING RING EXTERNAL
7	751-P-22-RP	WOODRUFF KEY 3/32in x 1/2in
8	M26830003-RP	MAINSHAFT - EB SERIES
9	580-P-95-RP	EXTERNAL RETAINING RING - 1/4" SHAFT
10	M16300006-RP	WORM GEAR
11	11060-RP	BEARING
12	SEE CHART	SPRING ASSEMBLY
13	M65720002-RP	GUIDE PLATE
14	C03500231-RP	M5X12MM LG ACR PHIL PAN HD.
15	SEE CHART	SHACKLE SHAFT ASSEMBLY
16	C03500253-RP	M6X16MM LG ACR PHILLIPS
17	C03500258-RP	M6 X 30MM PHIL PAN HD
18	C00400100-RP	GROOVE PIN (3/16" X 7/8")
19	M70780009-RP	CABLE ANCHOR
20	SEE CHART	GROOVED PIN 1/4" x 1/2"
21	SEE CHART	EXTENSION SPRING
22	SEE CHART	RATCHET SHAFT
23	SEE CHART	RATCHET LEVER
24	SEE CHART	EXTERNAL RETAINING RING - 7/16" SHAFT
25	M04600001-RP	AUTO STOP - EB BALANCER
26	M25360212-RP	AUTO STOP SHAFT
27	C60400128-RP	COMPRESSION SPRING
28	CBG-EB-RP	CABLE GUIDE DELRIN KIT
29	SEE CHART	CABLE ASSEMBLY
30	53-P-201-PR	HEX SOCKET SET SCREW 10-24 x 3/8 BLACK
31	31294-RP	LOCK LEVER FOR E/J/K/L BALANCERS
32	31295-RP	DRUM LOCK SHAFT FOR J/K BALANCERS
33	31643-RP	SPRING FOR DRUM LOCK
34	229-P-10-RP	PIN ROLL 1/8 x 5/16 - BZP
35	1235-P-8-RP	CLEVIS PIN
36	M83010023-RP	THRUST WASHER HALF .578X1.156
37	H11610004-RP	SAFETY CHAIN FOR EB BALANCERS - 1FT [0.3M]
38	126-P-50-RP	WASHER-[.28in ID]x[.63in OD]x[.06in TK]
39	228-P-11-RP	COTTER PIN
40	N/A	GLOBAL ROUND LABEL
41	N/A	FLAG LABEL

- NOTES:**
- BALANCERS ARE 100% INSPECTED & PRE-TENSIONED AT FACTORY.
 - HOUSINGS MADE OF ALUMINUM CASTING & ARE POWDER COATED TO MEET HARSH INDUSTRIAL ENVIRONMENTS.
 - ALWAYS READ INSTRUCTIONS MANUAL BEFORE USING BALANCERS.
 - BALANCERS ARE NOT TO BE USED AS RETRACTORS, THEIR MAIN PURPOSE BEING TO BALANCE A LOAD AND NOT TO RETRACT ONE.
 - OVERALL DIMENSIONS ARE FOR REFERENCE ONLY.
 - WHEN MOUNTING BALANCER, ALWAYS MAKE SURE THAT SAFETY PIN WHICH COMES WITH SHACKLE IS INSTALLED & SECURED.
 - ALL BALANCERS ARE EQUIPPED WITH SAFETY CHAIN.
 - PREVIOUS DOCUMENT NUMBER # SD-130171-004.



SHOWN IS ITEM; H13120049 FOR MORE OPTIONS SEE CHART (SHEET 3 OF 3).

BULLARD HOOK OPTION SEE CHART (SHEET 3 OF 3).

QUALITY SYMBOLS ▽ = 0 ▽ = 0 ▽ = 0	THIS DRAWING CONTAINS INFORMATION THAT IS PROPRIETARY TO Aero-Motive GmbH AND SHOULD NOT BE USED WITHOUT WRITTEN PERMISSION			
	ECN DESCRIPTION: DRAWING MIGRATION TO A-M		DIMENSION UNITS INCH / MM	SCALE NTS
	ECN NUMBER: AM2021-0014		GENERAL TOLERANCES (UNLESS SPECIFIED) Applicable Standards ASME Y14.5M ISO 1660	
	DRAWN: MCHOJECKI	2021-01-06	4 PLACE	± --- ± ---
	CHECKED: MCHOJECKI	2021-01-06	3 PLACE	± --- ± ---
	APPROVED: RHOTCA	2021-01-06	2 PLACE	± --- ± ---
	INITIAL REVISION:		1 PLACE	± --- ± ---
	DRAWN: MCHOJECKI	2012-07-24	0 PLACE	± --- ± ---
	APPROVED: JFMURPHY	2017-05-03	ANGULAR TOL. ± 0.5°	
OLD MAT. NUMBER	DRAFT WHERE APPLICABLE MUST REMAIN WITHIN DIMENSIONS		SIZE B-SIZE	THIRD ANGLE PROJECTION
SEE CHART				
			Aero-Motive® DESCRIPTION EB SERIES OF BALANCERS SALES DRAWING DOCUMENT NO. SD-XXEB-001 REVISION B CUSTOMER GENERAL MARKET SHEET NUMBER 2 of 3	

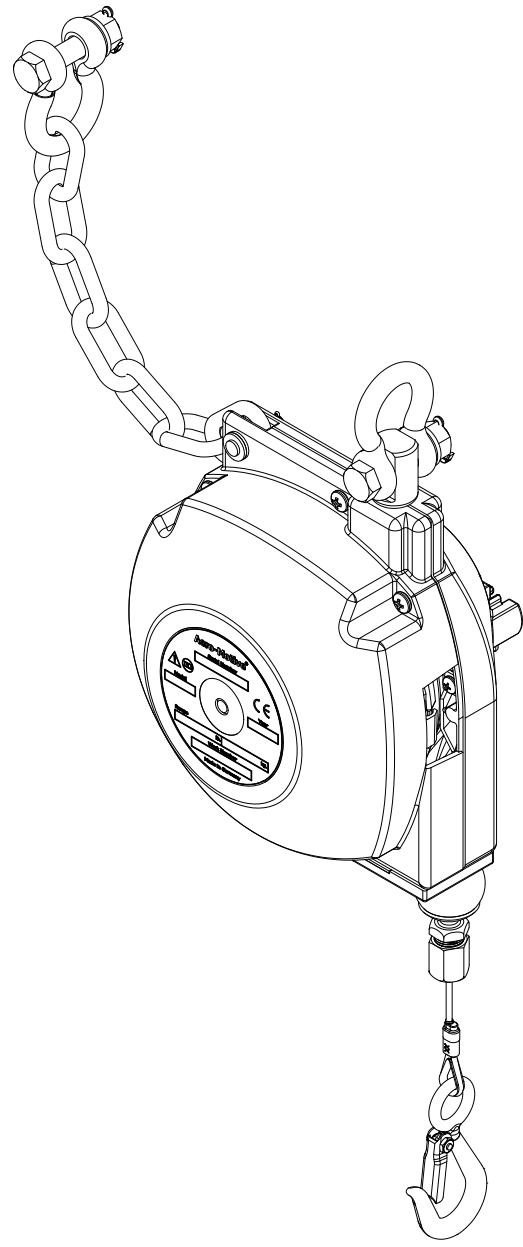
REFERENCE MODEL NUMBER INFORMATION CHART

XXEBX OPTIONS

R = RATCHET LOCK OPTION
 BU = BULLARD UPPER & LOWER HOOKS
 BCU = BULLARD HOOKS & ADJUSTABLE CLAMPS
 NC = NYLON COATED CABLE
 -SS = STAINLESS STEEL CABLE

EXAMPLES:
 35EBS = STANDARD UPPER & LOWER HOOKS W/1.5 M CABLE
 35EBSBU = BULLARD UPPER & LOWER HOOKS W/1.5 M CABLE
 35EBBU = BULLARD UPPER & LOWER HOOKS W/2.0 M CABLE

NONE = STANDARD UPPER & LOWER HOOKS W/ 2.0 M CABLE
 S = SHORT 1.5 M CABLE LENGTH OPTION
 BALANCER MODEL FAMILY
 25,35,45,48 & 60 = MAXIMUM CAPACITY IN POUNDS



BALANCER MODEL	WEIGHT RANGE		CABLE TRAVEL		DESCRIPTION	ITEM 12 SPRING & POCKET ASSEMBLY	ITEM 15 SHACKLE ASSEMBLY	ITEM 29 CABLE ASSEMBLY	RATCHET LOCK
	MODEL NUMBER	LBS.	KGS.	FEET					
25EB	18 - 25	8.2 - 11.4	6.6	2.0	STANDARD BALANCER	H41220111-RP	H16510017-RP	H13120049-RP	NO
25EBR			6.6	2.0	BALANCER WITH RATCHET LOCK		H16510017-RP	H13120049-RP	SEE TABLE 2
25EBBU			6.6	2.0	BALANCER W/UPPER & LOWER BULLARD HOOKS		H16510013-RP	H13120050-RP	NO
25EBRBU			6.6	2.0	BALANCER W/UPPER & LOWER BULLARD HOOKS & RATCHET LOCK		H16510013-RP	H13120050-RP	SEE TABLE 2
25EBBCU			6.6	2.0	BALANCER WITH UPPER & LOWER BULLARD HOOKS & ADJ. CLAMPS		H16510013-RP	H13120070-RP	NO
25EBS			4.9	1.5	STANDARD BALANCER WITH CABLE TRAVEL 1.5 M		H16510017-RP	H13120051-RP	NO
25EBSR			4.9	1.5	BALANCER W/ RATCHET LOCK & CABLE TRAVEL 1.5 M		H16510017-RP	H13120051-RP	SEE TABLE 2
25EBSBU			4.9	1.5	BALANCER W/UPPER & LOWER BULLARD HOOKS & CABLE TRAVEL 1.5 M		H16510013-RP	H13120052-RP	NO
25EBSRBU			4.9	1.5	BALANCER W/RATCHET LOCK, UPPER & LOWER BULLARD HOOKS & CABLE TRAVEL 1.5 M		H16510013-RP	H13120052-RP	SEE TABLE 2
25EBNC			6.6	2.0	BALANCER WITH NYLON COATED CABLE ASSEMBLY		H16510017-RP	BG12990-NC-RP	NO
35EB	25 - 35	11.4 - 15.9	6.6	2.0	STANDARD BALANCER	H41220112-RP	H16510017-RP	H13120049-RP	NO
35EB-SS			6.6	2.0	BALANCER WITH STAINLESS STEEL CABLE		H16510017-RP	H13120049-SS-RP	NO
35EBR			6.6	2.0	BALANCER WITH RATCHET LOCK		H16510017-RP	H13120049-RP	SEE TABLE 2
35EBBC			6.6	2.0	BALANCER WITH WITH LOWER BULLARD HOOK & CLAMPS		H16510013-RP	H13120070-RP	NO
35EBBCU			6.6	2.0	BALANCER WITH UPPER & LOWER BULLARD HOOKS & ADJ. CLAMPS		H16510013-RP	H13120070-RP	NO
35EBBU			6.6	2.0	BALANCER W/UPPER & LOWER BULLARD HOOKS		H16510013-RP	H13120050-RP	NO
35EBRBU			6.6	2.0	BALANCER W/UPPER & LOWER BULLARD HOOKS & RATCHET LOCK		H16510013-RP	H13120050-RP	SEE TABLE 2
35EBS			4.9	1.5	BALANCER WITH CABLE TRAVEL 1.5 M		H16510017-RP	H13120051-RP	NO
35EBSR			4.9	1.5	BALANCER W/ RATCHET LOCK & CABLE TRAVEL 1.5 M		H16510017-RP	H13120051-RP	SEE TABLE 2
35EBSBU			4.9	1.5	BALANCER W/UPPER & LOWER BULLARD HOOKS & CABLE TRAVEL 1.5 M		H16510013-RP	H13120052-RP	NO
35EBSRBU			4.9	1.5	BALANCER W/RATCHET LOCK, UPPER & LOWER BULLARD HOOKS & CABLE TRAVEL 1.5 M		H16510013-RP	H13120052-RP	SEE TABLE 2
35EBNC			6.6	2.0	BALANCER WITH NYLON COATED CABLE ASSEMBLY		H16510017-RP	BG12990-NC-RP	NO
45EB	35 - 45	15.9 - 20.5	6.6	2.0	STANDARD BALANCER	H41220113-RP	H16510017-RP	H13120049-RP	NO
45EBR			6.6	2.0	BALANCER WITH RATCHET LOCK		H16510017-RP	H13120049-RP	SEE TABLE 2
45EBBU			6.6	2.0	BALANCER W/UPPER & LOWER BULLARD HOOKS		H16510013-RP	H13120050-RP	NO
45EBRBU			6.6	2.0	BALANCER W/UPPER & LOWER BULLARD HOOKS & RATCHET LOCK		H16510013-RP	H13120050-RP	SEE TABLE 2
45EBNC			6.6	2.0	BALANCER WITH NYLON COATED CABLE ASSEMBLY		H16510017-RP	BG12990-NC-RP	NO
48EBS	35 - 48	15.9 - 21.8	4.9	1.5	BALANCER WITH CABLE TRAVEL 1.5 M	H41220113-RP	H16510017-RP	H13120051-RP	NO
48EBSR			4.9	1.5	BALANCER W/ RATCHET LOCK & CABLE TRAVEL 1.5 M		H16510017-RP	H13120051-RP	SEE TABLE 2
48EBSBU			4.9	1.5	BALANCER W/UPPER & LOWER BULLARD HOOKS & CABLE TRAVEL 1.5 M		H16510013-RP	H13120052-RP	NO
48EBSRBU			4.9	1.5	BALANCER W/RATCHET LOCK, UPPER & LOWER BULLARD HOOKS & CABLE TRAVEL 1.5 M		H16510013-RP	H13120052-RP	SEE TABLE 2
60EBS	45 - 60	20.5 - 27.3	4.9	1.5	BALANCER WITH CABLE TRAVEL 1.5 M	H41220114-RP	H16510017-RP	H13120051-RP	NO
60EBSR			4.9	1.5	BALANCER W/ RATCHET LOCK & CABLE TRAVEL 1.5 M		H16510017-RP	H13120051-RP	SEE TABLE 2
60EBSBU			4.9	1.5	BALANCER W/UPPER & LOWER BULLARD HOOKS & CABLE TRAVEL 1.5 M		H16510013-RP	H13120052-RP	NO
60EBSRBU			4.9	1.5	BALANCER W/RATCHET LOCK, UPPER & LOWER BULLARD HOOKS & CABLE TRAVEL 1.5 M		H16510013-RP	H13120052-RP	SEE TABLE 2

TABLE 2 - RATCHET LOCK COMPONENTS

ITEM 20 GROOVE PIN	ITEM 21 EXTENSION SPRING	ITEM 22 RATCHET SHAFT	ITEM 23 RATCHET LEVER	ITEM 24 RETAINING RING
C00400201-RP	M15120003-RP	M23560034-RP	M08710006-RP	580-P-80-RP

QUALITY SYMBOLS ▽ = 0 ▽ = 0 ▽ = 0	THIS DRAWING CONTAINS INFORMATION THAT IS PROPRIETARY TO Aero-Motive GmbH AND SHOULD NOT BE USED WITHOUT WRITTEN PERMISSION									
	ECN DESCRIPTION: DRAWING MIGRATION TO A-M			DIMENSION UNITS INCH / MM		SCALE NTS		Aero-Motive® DESCRIPTION EB SERIES OF BALANCERS		
				GENERAL TOLERANCES (UNLESS SPECIFIED) Applicable Standards ASME Y14.5M ISO 1660						
	ECN NUMBER: AM2021-0014			mm		INCH		SALES DRAWING DOCUMENT NO. SD-XXEB-001 REVISION B		
	DRAWN: MCHOJECKI		2021-01-06	4 PLACE ± --- ± ---						
	CHECKED: MCHOJECKI		2021-01-06	3 PLACE ± --- ± ---				CUSTOMER GENERAL MARKET SHEET NUMBER 3 of 3		
	APPROVED: RHOTCA		2021-01-06	2 PLACE ± --- ± ---						
	INITIAL REVISION:			1 PLACE ± --- ± ---				THIRD ANGLE PROJECTION		
	DRAWN: MCHOJECKI		2012-07-24	0 PLACE ± --- ± ---						
	APPROVED: JFMURPHY		2017-05-03	ANGULAR TOL. ± 0.5°						
OLD MAT. NUMBER		DRAFT WHERE APPLICABLE MUST REMAIN WITHIN DIMENSIONS		SIZE B-SIZE						